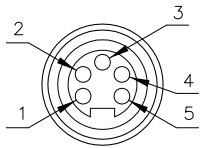
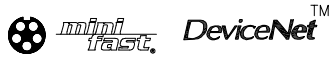


FEMALE END VIEW

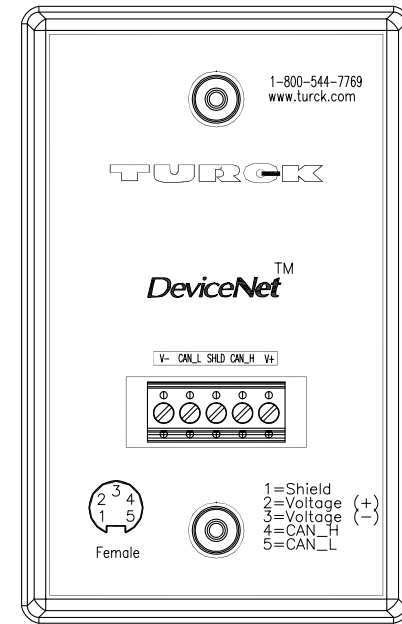
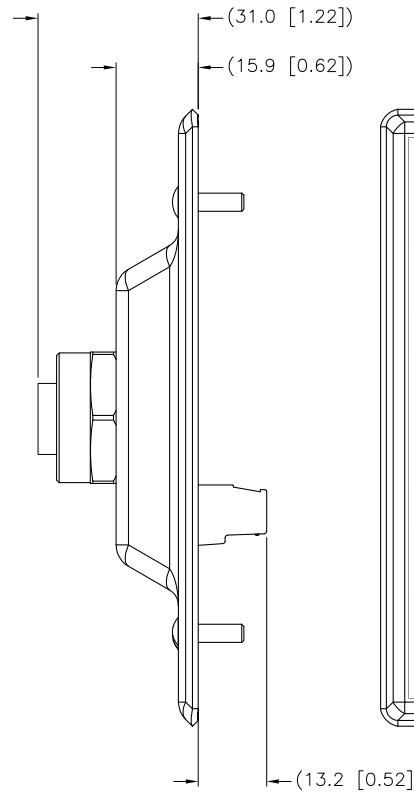
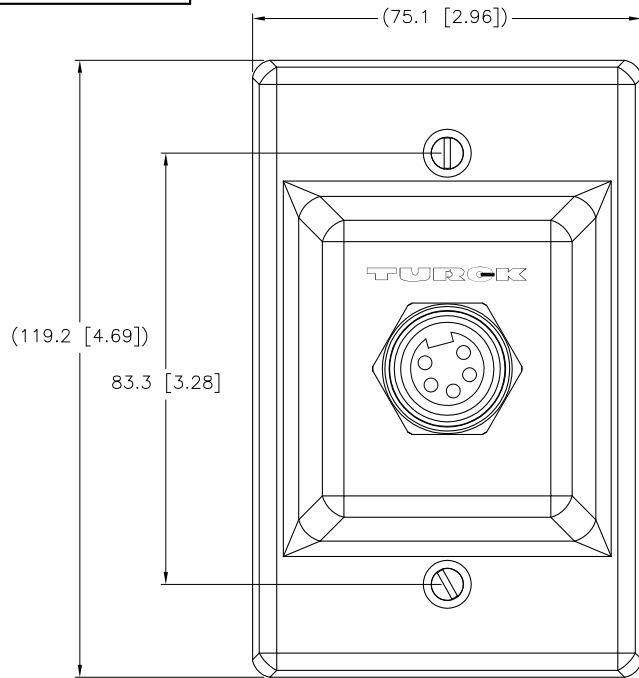


- 1 = BARE (SHIELD)
- 2 = RED (+ VOLTAGE)
- 3 = BLACK (- VOLTAGE)
- 4 = WHITE (CAN_H)
- 5 = BLUE (CAN_L)

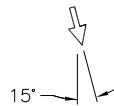


SPECIFICATIONS

WALL PLATE MATERIAL	16 GA. 316 STAINLESS STEEL
RECEPTACLE HOUSING MATERIAL	STAINLESS STEEL, PASSIVATED
SEALING GASKET MATERIAL	CLOSED CELL POLYETHYLENE FOAM
MOUNTING HARDWARE (SUPPLIED)	6-32 SCREWS, STAINLESS STEEL
CONTACT CARRIERS/COLOR	TPU/BLUE
CONTACTS	GOLD-PLATED BRASS
OPERATING VOLTAGE	300 V
OPERATING CURRENT	9.0 A
PROTECTION CLASS to DIN 40050	IP 67 - ONLY WHEN ALL RECEPTACLES ARE COVERED WITH PLUGS OR CONNECTED
OPERATING TEMPERATURE	-40°C to +70°C (-40°F to +158°F)



SOURCE DRAWING - FOR REFERENCE ONLY



NOTES:

1) GASKET NOT SHOWN FOR CLARITY.

↑ = 90° CORDSET CABLE DIRECTION

RELATED DOCUMENTS		3RD ANGLE PROJECTION		THIS DRAWING IS PROPERTY OF TURCK INC. USE OF THIS DOCUMENT WITHOUT WRITTEN PERMISSION IS PROHIBITED.		TURCK INC High Technology Sensors and Automation Controls 3000 CAMPUS DRIVE MINNEAPOLIS, MN 55441 1-800-544-7769 (763) 553-7300 (763) 553-0708 fax turck.com	
1. 2. 3. 4.				DRFT DF	DATE 09/19/05	DESCRIPTION BPA-57-M113	
MATERIAL		ALL DIMENSIONS DISPLAYED ON THIS DRAWING ARE FOR REFERENCE ONLY		DSGN DF	SCALE 1=1.5	IDENTIFICATION NO. U3-00665	
FINISH		CONTACT TURCK FOR MORE INFORMATION		UNIT OF MEASUREMENT MILLIMETER [INCH]		REV B	
B DRAWING PROCESSED AS PART OF ECO 33971		CBM 04/07/11 33971		DO NOT SCALE THIS DRAWING		FILE: u3-00665	
REV	DESCRIPTION	BY	DATE	ECO NO.	SHEET 1 OF 1		